

March 2019

R Series Pressure Regulators with Relief Valve, Underpressure and Overpressure Shut-off Valve

INSTALLATION INSTRUCTIONS

Regulators are designed for installation in protected environment.

COMMISSIONING INSTRUCTIONS

- a. Check that gas is flowing through the regulator in the direction of the arrow stamped on the body of the regulator and that data shown on the regulator plate is compatible with system requirements.
- b. Slowly open the inlet valve.
- c. Slightly open the outlet valve.
- d. Reset shut-off valve by first loosening cap **A** and then screwing it onto the stem, after which pull cap outwards and wait a few moments until the outlet pressure is stabilized.
- e. Open slowly the outlet valve to the full open position.
- f. Reassembly the cap **A** in the initial position.

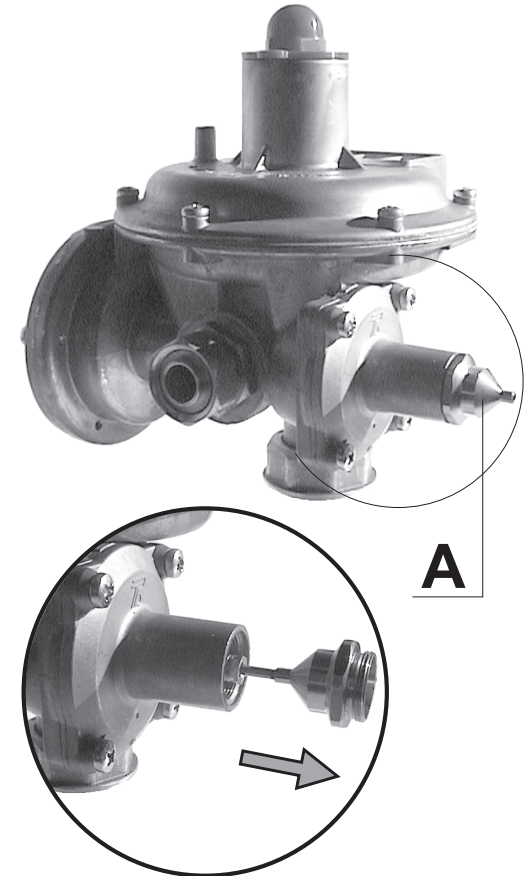
NOTE: Periodical checks are recommended in order to ensure optimum operating efficiency of regulators and safety devices. In any case checks should always be carried out within prescribed maintenance schedule deadlines according to standard procedures and recommendations. Whenever required by particularly arduous working conditions, checks should be carried out on more regular basis.

REGULATOR AND SAFETY SYSTEM MAINTENANCE (Relief valve and shut-off valve)

- a. Close the downstream valve. Wait for outlet pressure to stabilize at lock-up pressure.
- b. Put an impulse connection between regulator and valve, and connect a pump, or the like, to it.
- c. Raise pressure until relief valve trips. This occurs when gas is released through the exhaust pipe.
- d. Plug exhaust pipe and raise pressure until high-pressure shut-off trips.
- e. Close the upstream valve, and decrease the outlet pressure with the pump discharger as far as the minimum shut-off triggers. Proceed with the commissioning following the above mentioned procedures.

SEP Statement

Emerson declares this product conforms to Pressure Equipment Directive PED 2014/68/UE Article 4 section 3 and was designed and manufactured in accordance with sound engineering practice (SEP). Per Article 4 section 3, this "SEP" product must not bear the CE marking. Downstream equipment, protected by shut-off device of this product, shall have technical features such as not to be category I, II, III or IV according Directive PED 2014/68/UE.



R Series

✉ Webadmin.Regulators@emerson.com

🔍 Tartarini-NaturalGas.com

📘 Facebook.com/EmersonAutomationSolutions

🌐 LinkedIn.com/company/emerson-automation-solutions

🐦 Twitter.com/emr_automation

Emerson Automation Solutions

Americas

McKinney, Texas 75070 USA
T +1 800 558 5853
+1 972 548 3574

Asia Pacific

Singapore 128461, Singapore
T +65 6770 8337

Europe

Bologna 40013, Italy
T +39 051 419 0611

Middle East and Africa

Dubai, United Arab Emirates
T +971 4 811 8100

*O.M.T. Officina Meccanica Tartarini S.R.L., Via P. Fabbri 1, I-40013 Castel Maggiore (Bologna), Italy
R.E.A 184221 BO Cod. Fisc. 00623720372 Part. IVA 00519501209 N° IVA CEE IT 00519501209,
Cap. Soc. 1.548 000 Euro i.v. R.I. 00623720372 - M BO 020330*

D103660X012 © 2019 Emerson Process Management Regulator Technologies, Inc. All rights reserved. 03/19.
The Emerson logo is a trademark and service mark of Emerson Electric Co. All other marks are the property of their prospective owners.
Tartarini™ is a mark of O.M.T. Officina Meccanica Tartarini s.r.l., a business of Emerson Automation Solutions.

The contents of this publication are presented for information purposes only, and while effort has been made to ensure their accuracy, they are not to be construed as warranties or guarantees, express or implied, regarding the products or services described herein or their use or applicability. All sales are governed by our terms and conditions, which are available on request. We reserve the right to modify or improve the designs or specifications of our products at any time without notice.

Emerson Process Management Regulator Technologies, Inc does not assume responsibility for the selection, use or maintenance of any product. Responsibility for proper selection, use and maintenance of any Emerson Process Management Regulator Technologies, Inc. product remains solely with the purchaser.

